

**xTOOL Concealed thermostat module with 2 valves -**

---

35 527 970



- red brass, lead-free
- 2x back flow preventer
- 3/4" (cold/hot) connection
- female thread 1/2" connection
- thermostat cartridge
- 2x head part with cut-to-length spindle and sleeve
- 3x anti-water packing
- 3x dust cover
- soundproofing
- gauge 120 mm

**Recommended miscellaneous**

---

**Extension 28 mm -**

12 177 970 90



**Recommended miscellaneous**

---

**Extension 46 mm -**

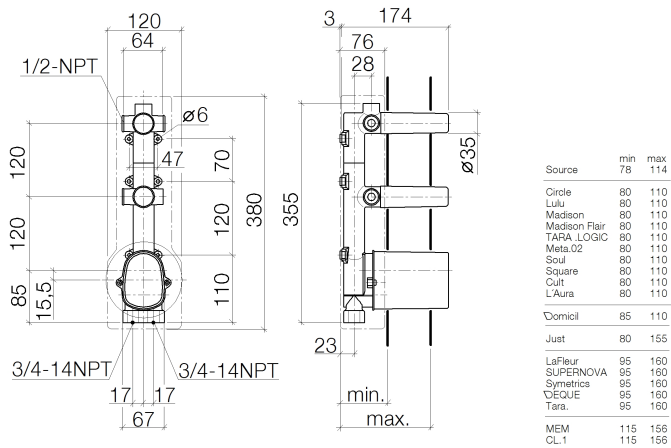
12 178 970 90



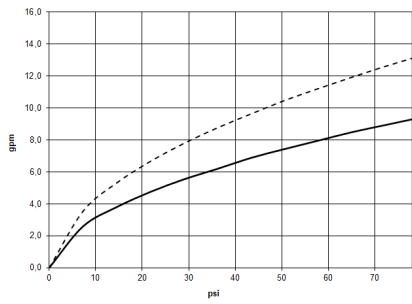


## xTOOL Concealed thermostat module with 2 valves -

35 527 970



### Flow rate chart



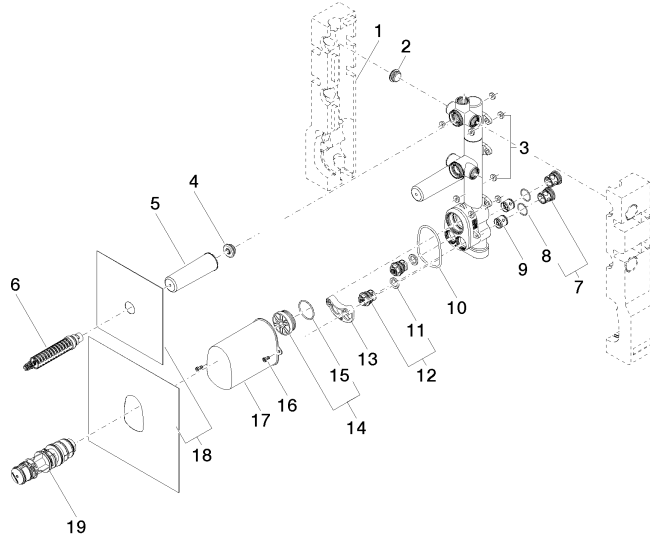
35527970-900010 + 3631x xxx-FF + 36416/417 xxx-FF

### Certificates

IAPMO\_4976 (3).

**xTOOL Concealed thermostat module with 2 valves -**

35 527 970



**Spare parts list**

No.	Item Number	Name	Quantity used	Delivery time
1	09 11 11 014 90	accessories	1	2
2	04 31 20 062 10 90	plug	3	2
3	04 14 05 045 00 90	set	1	2
4	04 31 20 006 00 90	plug	2	2
5	09 21 02 102 90	cap	2	2
6	90 90 03 143 00 90	top	2	2
7	04 21 34 077 00 90	nipple	2	2
8	09 14 10 098 90	seal	2	2
9	90 23 01 045 00 90	back-flow preventer	2	2
10	09 14 10 189 90	seal	1	2
11	09 14 05 002 90	seal	2	2
12	90 29 05 031 00 90	insert	2	2
13	90 12 12 218 00 90	base	1	2
14	04 31 20 100 00 90	plug	1	2
15	09 14 10 111 90	seal	1	2
16	90 30 30 027 00 90	screw	1	2
17	09 21 02 103 90	cap	1	2
18	04 14 03 073 06 90	gasket kit	1	2
19	90 15 02 065 00 90	cartridge	1	2